

schülke -t



For touchless application of hand disinfectants, washing and care lotions for 1,000 ml disposable bottles.

Preparation dispenser Type KH touchless

Our Plus:

- touchless hand disinfection (magnetic field technology) resulting in increased hygiene standard
- easy reprocessing of the stainless steel pump
- manual operation by means of emergency bracket in case of empty battery
- low energy consumption enables long battery service life (up to 2 years)

Feature description

Easy and exact dosing of hand disinfectant, washing and care products.

- Dosing of the required preparations via a dosing block at the dosing pump to amounts of approx. 0.75 ml to 1.5 ml per stroke.
- The exchangeable pump is made of stainless steel and ensures a smooth preparation flow. No clogging, clotting or after-dripping.
- Casing made of matt silver anodised aluminium. Arm lever made of stainless steel.
- If required, the dispenser can be removed from the wall mounting plate, e.g. for cleaning.
- Quick filling with the original bottle.
- Easy withdrawal of the dosing pump via the front.

Requirements of the Robert Koch Institute

“The washbasins used by the staff members are to be each equipped with a dispenser for hand disinfectant and washing lotion as well as with skin-care products in dispensers and tubes...

Dispensers for washing lotions, disinfectants and towels must be easy to clean and to disinfect. Dispensers for washing lotions must be thoroughly cleaned and disinfected before being filled again.”*

* RKI (German Health Authority – Robert Koch Institute), Guideline for Hospital Hygiene and Infection Prevention, C 1.1 Hand Hygiene

Requirements of the Trade Association

The insured parties are to be provided with**...

- easily accessible hand washing places with running warm and cold water
- direct dispensers for hand disinfectants, non-irritant washing products, appropriate skin protection and skin-care products and
- disposable towels

** BGR 250/TRBA 250 Biological Working Substances in Health Care and in Welfare Work. 4.1.1. Structural and Technical Measures / 4.1.1.1.

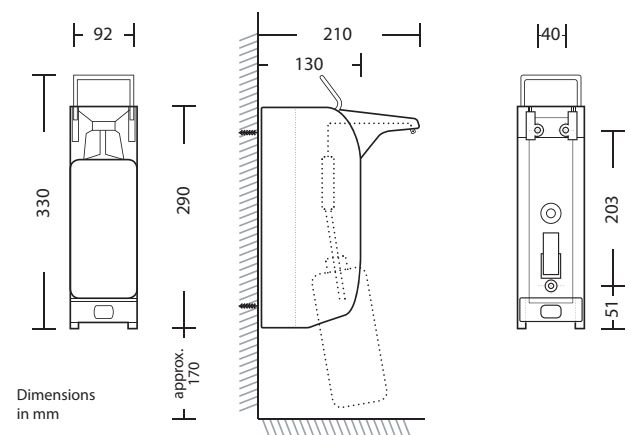
Dimensions:

Width: 9.2 cm

Depth: 21.0 cm

Height: 29.0 cm

Design with short emergency bracket for manual operation in case of empty battery.

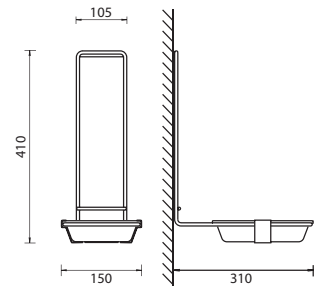


Preparation dispenser Type KH touchless

Dispenser and Accessories

	Art. No.
Dispenser Type KH touchless	669 550
Accessories Drip cup for Type KH touchless	669 560
Closing plate	669 555

For these dispensers, 1,000 ml disposable bottles are available which can be installed with a flick of the wrist and removed just as easily after use.



Shell container



Disinfection column

The practice-oriented solution in the field of flexible disinfection columns. First-class, robust quality and proven functionality which enable an easy access to the hand disinfectant.

Our Plus:

- standard installation of Type KHK and KHL 1,000 ml dispensers as well as of the KH touchless dispenser
- ideal for entrance areas as well as places where a wall mounting of dispensers is not desired or not possible
- hygienic and robust stainless steel design
- fast and easy installation

Technical data

Base dimension: 40 x 40 cm
 Height: approx. 150 cm
 Material: polished stainless steel
 Weight: 30 kg

Column

	Art. No.
Disinfection column	669 570
Poster holder DIN A4	669 551



Schülke & Mayr GmbH is certified according to DIN EN ISO 9001, DIN EN ISO 14001 and DIN EN ISO 13485 (Reg.-No. 004567-MP23) and has a validated environmental system in accordance with the Eco Audit Regulation (Reg.-No. DE-150-00003).

Schülke & Mayr GmbH
 22840 Norderstedt, Germany
 Phone +49 (0) 40 - 521 00 - 0
 Fax +49 (0) 40 - 521 00 - 318
 www.schuelke.com
 mail@schuelke.com

Schülke & Mayr UK Ltd.
 1 Jenkin Road
 GB-Sheffield S9 1AT
 Phone +44 (0) 1142 - 54 35 - 00
 Fax +44 (0) 1142 - 54 35 - 01
 mail.uk@schuelke.com

Schülke & Mayr Ges.m.b.H
 Seidengasse 9
 1070 Wien, Austria
 Phone +43 (0) 1 - 523 25 01 - 0
 Fax +43 (0) 1 - 523 25 01 - 60
 office.austria@schuelke.com