

schülke -†



For the application of hand disinfectants, washing and care lotions for 500 ml and 1,000 ml disposable bottles

Technical Data - Dispenser Type KHK / KHL / KHN touchless

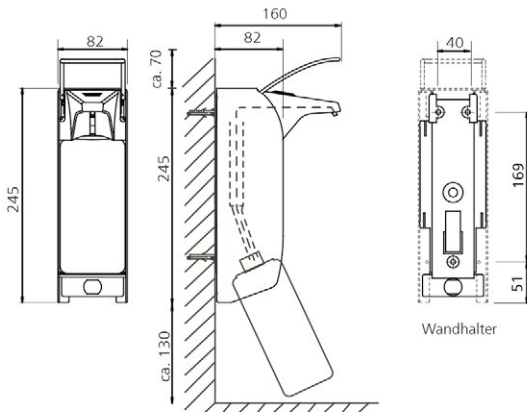
KHK 500

Width: 82 mm
Depth: 160 mm (with arm lever)
Height: 245 mm

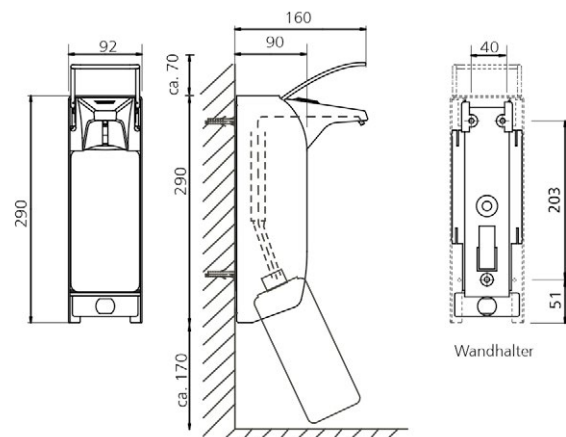


KHK 1000

Width: 92 mm
Depth: 160 mm (with arm lever)
Height: 290 mm



500 ml



1000 ml

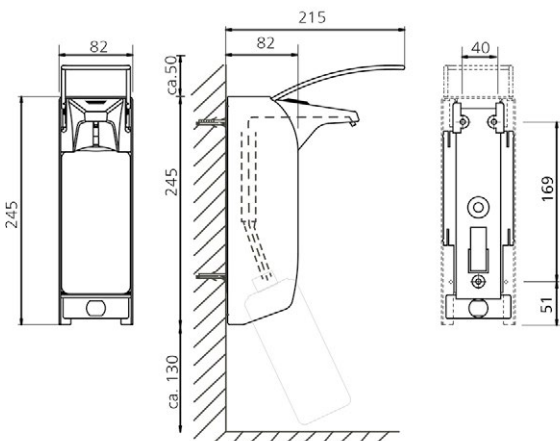


Technical Data - Dispenser

Type KHK / KHL / KHN touchless

KHL 500

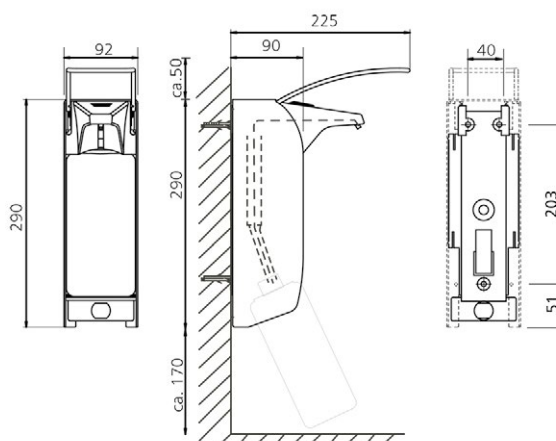
Width: 82 mm
 Depth: 215 mm (with arm lever)
 Height: 245 mm



500 ml

KHL 1000

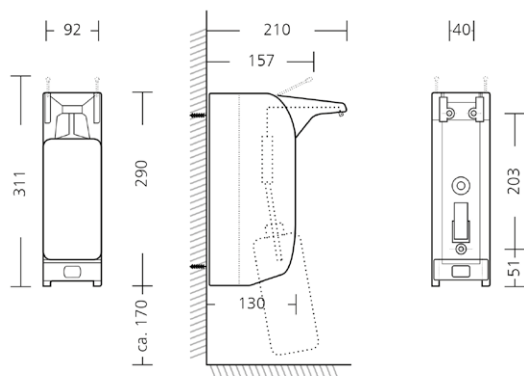
Width: 92 mm
 Depth: 225 mm (with arm lever)
 Height: 290 mm



1000 ml

KHN 500 touchless

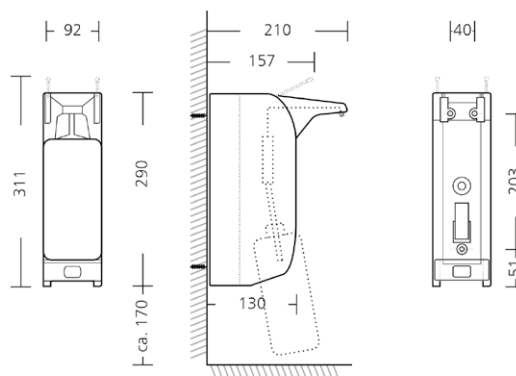
Width: 92 mm
 Depth: 210 mm
 Height: 311 mm



500 ml

KHN 1000 touchless

Width: 92 mm
 Depth: 210 mm
 Height: 311 mm



1000 ml



Schülke & Mayr GmbH holds a Manufacturer's Authorisation according to sect 13 par 1 German Drug Law and Certificates of GMP-Zertifikaten for medicinal products.

schülke Headquater
 Schülke & Mayr GmbH
 Robert-Koch-Str. 2
 22851 Norderstedt
 Germany
 Phone +49 40 52100-0
 Fax +49 40 52100-318
 www.schuelke.com
 mail@schuelke.com